

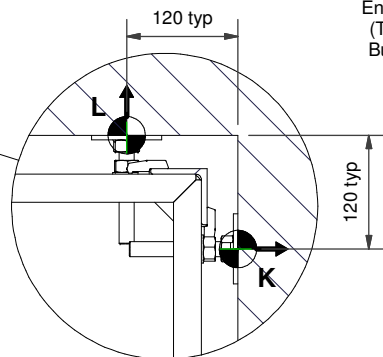
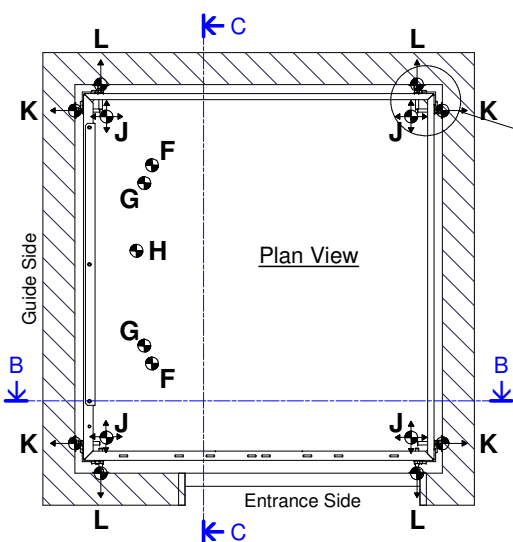
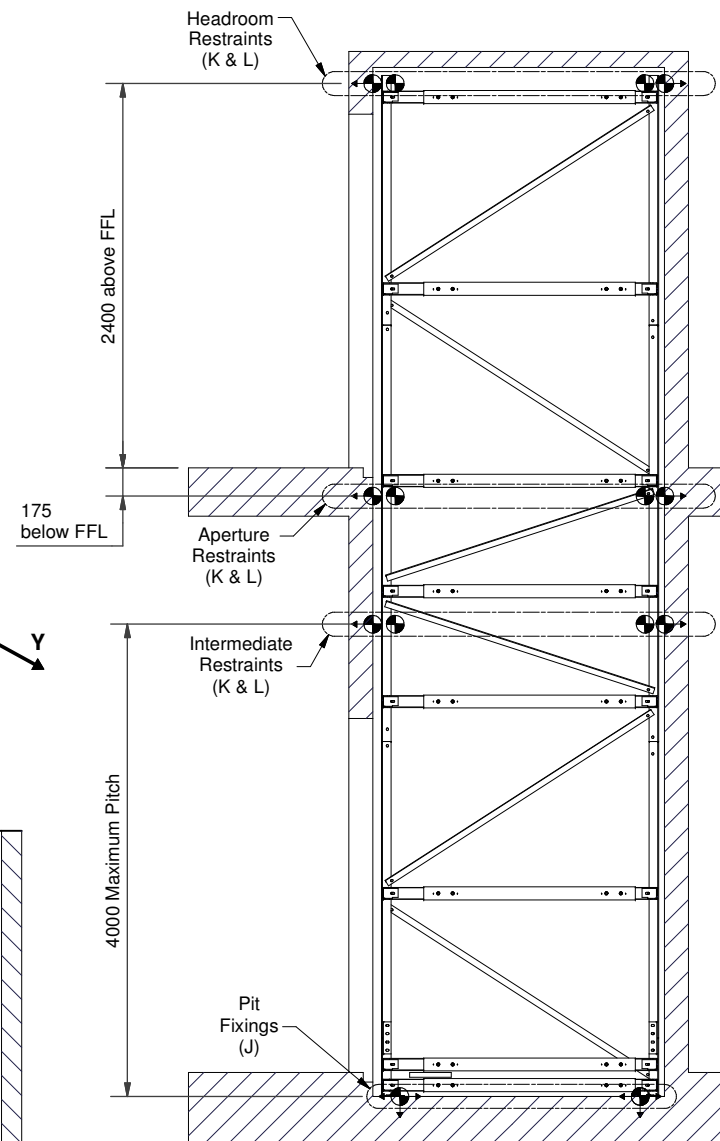
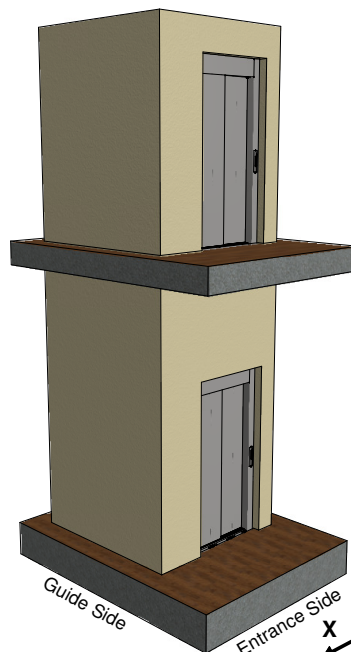
FX Structure

Loads and fixings (up to 12m travel)

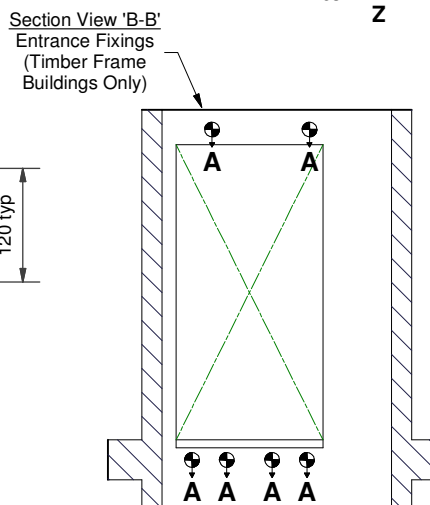
Position	X (kN)	Y (kN)	Z (kN)	Comments
F	0	0	+11	Vertical LOAD at base of each car guide
G	0	0	+19.3	Vertical LOAD at each car buffer
H	0	0	+24	Vertical LOAD at base of hydraulic ram
J	+/-2	+/-2	+7.7	FX structure FIXING in pit: LOADS in X, Y & Z axes
K	2	0	0	FX structure push out LOAD: X axis (headroom, aperture & intermediate levels)
L	0	2	0	FX structure push out LOAD: Y axis (headroom, aperture & intermediate levels)
A	0	-0.3	+0.8	Door frame FIXING at each entrance - TIMBER FRAME BUILDINGS ONLY (LOAD directions relative to door orientation)

Notes:

- Details provided apply to Midlift Piccolo FX Structure indoor applications, max 12m travel, where all specified fixings can be made directly into solid substrate or structural members. The table & sketches show all loads from the lift.
- Loads**
Loads from the lift occur in all 3 axes (X, Y & Z). All values stated in the table are per position indicated in the sketches. All loads stated are for 'worst case' conditions (of load & travel). Where applicable, appropriate impact factors have been accounted for. Forces apply in directions indicated in the table (note: entrance loadings 'A' are relative to entrance orientation). Positive directions are shown in the 3D image 'Positive Axes'.
- 2a. Specific Notes - Horizontal loads in X & Y directions**
 - Horizontal restraint forces J, K & L arise from lift operation; applied load is a couple, in 2 positions (one on each guide). Force magnitude is 3.5kN at 1980mm pitch.
 - Stated forces will act as lateral (shear) load in fixings at positions J and as axial (push out) loads at positions K & L.
- 2b. Specific Notes - Vertical loads in Z direction**
 - Vertical loads at positions J are constant and act as axial loads in fixings.
 - Applied vertical loads at positions F, G & H are 'worst case' loads acting on the pit base.
- Fixings**
 - Fixings are always required at positions marked J (in to solid substrate or structural members).
 - Fixings are only required at positions marked A if the building construction is Timber Frame - this is to permit the landing entrances to move with their surrounding walls (in the case of building shrinkage).
 - Fixings are not required at positions marked F, G, H, K & L, however, the building must be able to resist the loads indicated at these positions.
- Preferably, the lift well should not be situated above a space accessible to persons. If spaces accessible to persons exist below the lift well, then base of the pit shall be designed for an imposed load of 5kN/m².
- It shall be the customer's responsibility to ensure suitability of the building structure for the applied loads, both in terms of strength, & also suitability of the fixings proposed. If any doubts exist, it is advised that a structural engineer is consulted.
- All dimensions in mm unless otherwise stated.



Detail View
Typical push out loads (K & L) in all 4 corners, at headroom, aperture & intermediate levels (see Section View 'C-C')



Waiver

The data sheet is for guidance only & must not be used for proper working drawings. Please contact us for particular details before proceeding. Owing to our policy of continual improvement, we reserve the right to alter specifications & dimensions without prior notice.